

WWW.LUXFORM.COM/FILES/GBBA01\_  
SAFETY INSTRUCTIONS\_BATTERY LIGHTING.PDF



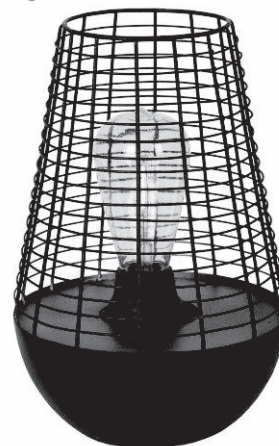
NL SCAN MIJ VOOR MEER INFORMATIE  
GB SCAN ME FOR MORE INFORMATION  
D SCANNEN SIE MICH FÜR WEITERE INFORMATIONEN  
F FLASHEZ MOI POUR PLUS D'INFORMATIONS  
E ESCANEAR ME PARA MÁS INFORMACIÓN  
P DIGITALIZAR ME PARA MAIS INFORMAÇÕES  
I SCANSIONE ME PER ULTERIORI INFORMAZIONI  
S SKANNA MIG FÖR MER INFORMATION  
FIN SKANNATA KERRON LISÄÄ  
N SKANNE MEG FOR MER INFORMASION  
DK SCANNE MIG FOR MERE INFORMATION  
GR σάρωσέ με για περισσότερες πληροφορίες  
CZ SKENOVANÍ MĚ PRO VÍCE INFORMACÍ  
PL SKANOWAC MI WIECEJ INFORMACJI  
SL SKENIRANJE ME ZA VEČ INFORMACIJ  
RO SCANARE MĂ PENTRU MAI MULTE INFORMATII  
LT NUSKAITYTI MANES DAUGIAU INFORMACIJOS  
EST SKANEERIDA MINUGA ROHKEM TEAVET  
LV SKENET AR MANI VAIRAK INFORM  
H ATKUTAT ÉN TOVÁBBI INFORMÁCIÓKAT  
RUS САННИ МЕНЯ ДЛЯ ПОЛУЧЕНИЯ  
ДОПОЛНИТЕЛЬНОЙ ИНФОРМАЦИИ

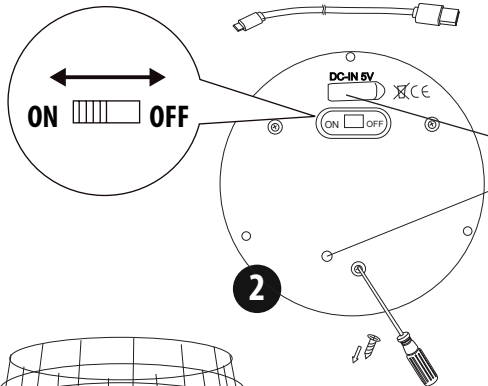
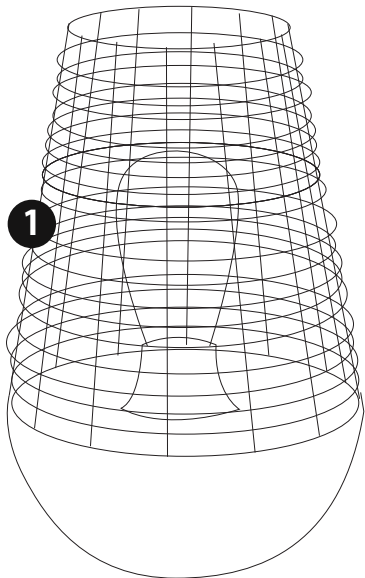
**LUXFORM**  
LIGHTING

LUXFORM GLOBAL BV TRANSPORTSTRAAT 1, 8263BW KAMPEN, THE NETHERLANDS

**LUXFORM**  
LIGHTING

USB RECHARGEABLE  
CHELSEA TABLE LANTERN





Lights up RED when loading  
When fully loaded LED is off



1,5MTR included

Loading needs to be done indoors  
10 hours charge for full battery



➔ 6H ON 18H OFF

Lamp lights for 16 days with fully loaded battery

USB-cable only to be used to load USB rechargeable light  
Actual charging time is affected by your charger type

